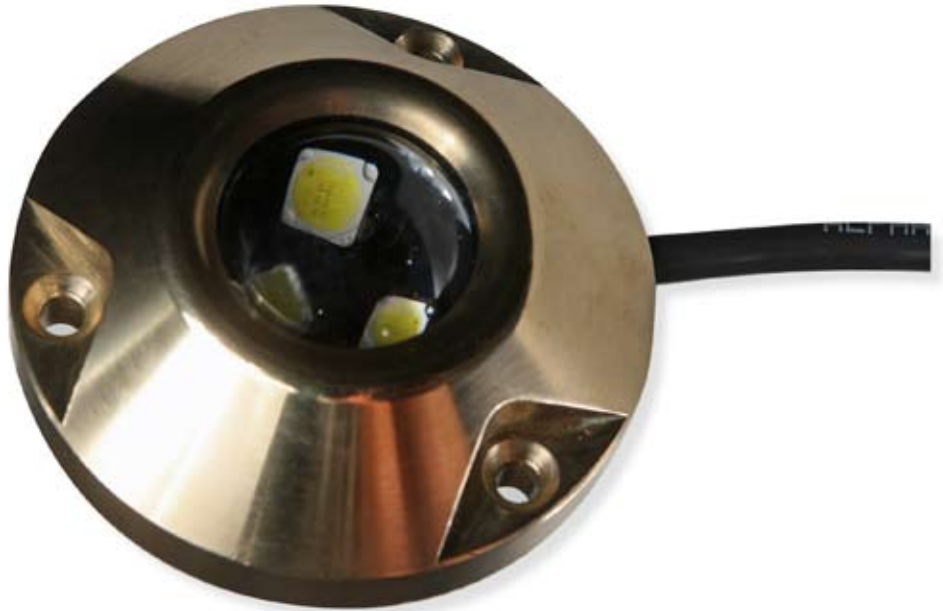


SV43-Surface Mounted



This light has an LED array in a bronze housing designed for smaller boats that want LED lighting. This light is excellent for any boat which has limited interior access but desires a surface mount installation.



Patent Pending

SV43 technical specifications

Application for:	GRP / fiberglass / wood hulls
Lamp:	LED array, available in white or blue
Life length:	approx. 10,000 hours
Kelvin color temp:	6500
Glass lens:	Convex crown glass
Thickness:	0.51" / 13mm
Power supply:	12 volt d.c. - 0.35 amps
Casing material:	Marine Bronze
Dimensions:	2.95" / 75mm x 1.14" / 29mm

Weight:	0.565 kgs / 1.2 lbs
Code:	SV43 – Surface Mounted
Total shipping weight:	0.68 kgs / 1.5 lbs
Installation:	recommended at minimum 6" (150mm) below waterline between 3-6 feet (1-2 meters) apart. The placement of surface mounted underwater lights on the hull bottom or sides is not recommended

All information is subject to change without prior notice, please confirm details prior to ordering.



1881 W State Road 84, Bay 102, Fort Lauderdale, FL 33315 USA
T. 954 760 4447 Toll Free 1 866 772 0130 F. 954 525 3261
sales@seavision.com www.seavision.com

SV43 Light



Introduction:

Important Information, Please Save

Congratulations on the purchase of your new surface mounted LED light (Patent Pending). Underwater Lights® USA, LLC takes pride in providing well designed, high quality and thoroughly tested lights that allow you to “enhance your boating experience”. These lights can be installed in your vessel for aesthetics, to attract fish, for security and safety.

General Operating Information:

The commercial grade Light Emitting Diode (LED) technology used in this light will provide robust and reliable operation under normal operating conditions.

The light cannot be operated when the vessel is out of the water, however, the light can be operated while the vessel is underway.

Depending upon water clarity conditions, the light beam can reach up to 6 meters (20 feet).

General Safety Information:

This light is intended for use on fiberglass and wood hulled vessels.

Always disconnect and lock-out power before working on light.

Marine growth should be removed from the glass using a soft brush to allow illumination to exit the light.

Technical Specifications:

Light source = White LED array - 200 Lumens - 6500 Kelvin color temperature - 2.5 Watts or Blue LED array - 60 Lumens - 2.5 Watts - Approximately 10,000 hours life for each

Glass = Convex crown glass - 13mm (0.51”) thick - 28.5mm (1.12”) diameter net aperture

Light dimensions = 75mm (2.95”) diameter x 29mm (1.14”) long - 565 grams (1.2 lbs)

Construction = Marine bronze

Power source = 12VDC - 0.35 Amps maximum - Operating temperature from -30°C (-22°F) to 85°C (185°F)

Troubleshooting:

Please contact our technical support staff in Florida at 1-954-760-4447, Monday to Friday from 8:00 am to 5:00 pm EST.

Warranty:

Underwater Lights® USA, LLC warrants this light to be free from defects in workmanship and materials for a period of two years from the date of original purchase. Further, misuse, abuse, improper installation, neglect, improper shipping, damage caused by disasters such as fire, flood and lightning, unauthorized repair or modifications will void said warranty. Should your light prove defective during the warranty period, promptly contact Underwater Lights® USA, LLC for an RMA number and then return the light freight prepaid with the RMA number clearly marked on the outside of the shipping container.

SV43 Light

SURFACE MOUNTED, LED ARRAY, 12VDC



Installation:

This light should be installed at least 125-150mm (5-6") below the water line by qualified/approved personnel using proper tools and materials. The placement of surface mounted underwater lights on the hull bottom or sides is not recommended.

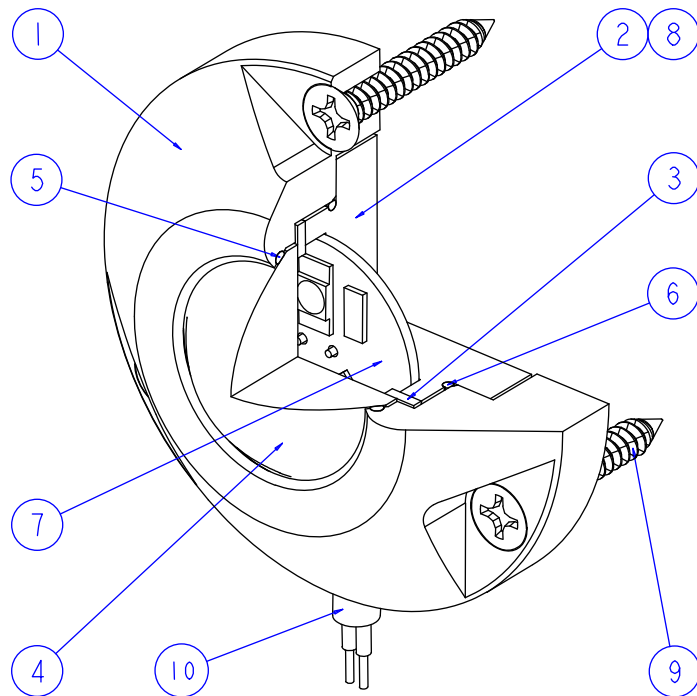
Select a flat surface at the desired location on the vessel hull then orient and attach the light using three Phillips Flat Head Screws (9) and 3M 5200 Marine Adhesive or equivalent . Note: Depending upon installation surface material, three small pilot holes may be required. Caution! Check that no electrical wiring, fuel lines, oil lines, water lines etc., pass near the desired mounting location.

Route Electrical Cable (10) above the water line and into the vessel proper, then secure accordingly. Connect RED wire lead to a switched and fused power source and connect BLACK wire lead to a good ground.

Serviceable Parts:

LED Array (7) and Electrical Cable (10) are not field serviceable on this light. However, Convex Glass (4), Glass O-ring (5) and Back Cover O-ring (6) can be replaced by removing five Socket Flat Head Screws (8) and carefully separating Main Body (1) from Back Cover (2). Note: Evenly hand tighten the five Socket Flat Head Screws (8) after carefully re-assembling said parts.

MODELS G17Z99B25, 12VDC/WHITE & G17Z99B26 12VDC/BLUE		
BALLOON	PART	DESCRIPTION
1	43001	MAIN BODY, BRONZE*
2	43006	BACK COVER, BRONZE*
3	43011	GLASS BACKUP RING
4	43012	CONVEX GLASS
5	43013	GLASS O-RING
6	43014	BACK COVER O-RING
7	43015 43044	WHITE LED ARRAY BLUE LED ARRAY
8	43016	M3 x 0.5 x 12 LG STAINLESS STEEL SOCKET FLAT HEAD SCREW
9	43017	No. 10 x 1-1/4" LG STAINLESS STEEL PHILLIPS FLAT HEAD SCREW
10	43018	ELECTRICAL CABLE
*PLEASE CALL FOR OTHER LIGHT COMPONENT CONFIGURATIONS		



Underwater Lights USA, LLC
 277 SW 33rd Court
 Fort Lauderdale, FL 33315 USA
 Phone: 1-954-760-4447
 Fax: 1-954-525-3261
 Internet: www.seavision.com
 Email: sales@seavision.com

Underwater Lights Europe Sarl
 Résidence L'Hippocampe: 19, Avenue Thiers
 06600 Antibes, France
 Phone: 33-(0)-4-97-21-02-96
 Fax: 33-(0)-4-97-21-10-96
 Internet: www.seavision.com
 Email: sales@seavisioneurope.com