



This light can be surface mounted in areas needing low level lighting and for general lighting on smaller boats. The screwed bezel is machined stainless steel 316 L and available with a prismatic glass lens. This light uses the best quality materials and is designed for longevity and tested for water tightness to IP66. The DV12 is available in single and uniquely multi colour options. One colour can give mood lighting while the other more functional. It is available in cool white, warm white, red, blue as well as red/white and blue/white in 12 and 24 volt.



DV12 technical specifications

Application for:	Steps, walkways, deckheads
Finish:	Polished stainless steel 316 L
Bezel:	Screwed
Glass lens:	Prismatic
Power supply:	12 volt d.c. / a.c. LED - 64MA 24 volt d.c. / a.c. LED - 36MA
Lamp:	12 volt LED available in cool white, warm white, red, blue, red-white and blue-white 24 volt LED available in cool white, warm white, red and blue
Dimensions:	Bezel: 2.36" / 60mm Depth: 1.8" / 45.5mm Cut-out: 1.4" / 36mm
IP rating:	66

*All information is subject to change without prior notice, please confirm details prior to ordering.
For further technical installation information, please visit www.seavision.com*

DV12 Light, 12-24V AC/DC LED Array, Short Body



Introduction:

Congratulations on the purchase of your new deck light. Underwater Lights® USA, LLC takes pride in providing well designed, high quality and thoroughly tested lights that allow you to “enhance your boating experience”. These lights can be installed in your vessel for aesthetics, security and safety.

General Operating Information:

The commercial grade Light Emitting Diode (LED) technology used in this light will provide robust and reliable operation under normal operating conditions.

General Safety Information:

This light is intended for vessel interior or exterior (rain or indirect water spray) lighting applications.

Always disconnect and lock-out power before working on light.

Technical Specifications:

Light Source = Cool White LED array - 1.5 Watts - 6000 Kelvin color temperature - Approx 10,000 hours life

Available LED colors = Cool white, warm white, red, blue, cool white/red, warm white/red, cool white/blue and warm white/blue

Glass = Prismatic soda-lime glass - 3.97mm (0.156”) thick - 34mm (1.3”) diameter net aperture

Dimensions = 60mm (2.36”) diameter x 45.5mm (1.8”) long - 92 grams (3.2 ounces) - Fits through a 36mm (1.4”) diameter hole

Construction = Stainless steel - Black nylon

Power supply = 12-24V AC/DC, 125MA@12V and 63MA@24V

Troubleshooting:

Please contact our technical support staff in Florida at 1-954-760-4447, Monday to Friday from 8:00 am to 5:00 pm EST.

Warranty:

Underwater Lights® USA, LLC warrants this light to be free from defects in workmanship and materials for a period of one year from the date of original purchase (except lamps). Further, misuse, abuse, improper installation, neglect, improper shipping, damage caused by disasters such as fire, flood and lightning, unauthorized repair or modifications will void said warranty. Should your light prove defective during the warranty period, promptly contact Underwater Lights® USA, LLC for an RMA number and then return the light freight prepaid with the RMA number clearly marked on the outside of the shipping container.

Underwater Lights USA, LLC
1881 W State Road 84, Bay 102
Fort Lauderdale, FL 33315 USA
Phone: 1-954-760-4447
Fax: 1-954-525-3261
Internet: www.seavision.com
Email: sales@seavision.com



DOC:031010-1

Underwater Lights Europe Sarl
Résidence L'Hippocampe: 19, Avenue Thiers
06600 Antibes, France
Phone: 33-(0)-4-97-21-02-96
Fax: 33-(0)-4-97-21-10-96
Internet: www.seavision.com
Email: sales@seavisioneurope.com

DV12 Light, 12-24V AC/DC LED Array, Short Body



Installation:

After selecting a flat surface, cut a 36mm (1.4") diameter hole through said surface at the desired location. Caution! Check that no electrical wiring, fuel lines, oil lines, water lines etc., pass near or through the intended hole location.

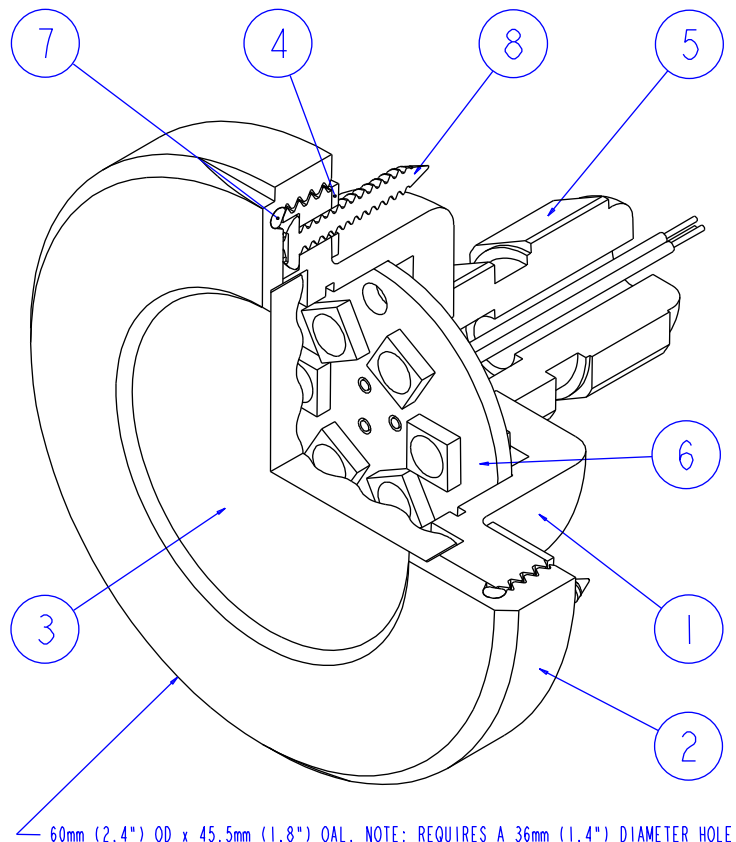
Unscrew Front Flange (2) and remove three supplied Phillips Pan Head Screws (8). Place Main Body (1) with Body Gasket (4) through above hole and carefully secure using three Phillips Pan Head Screws (8). Note: Depending upon installation surface material, three small pilot holes may be required. Screw the Front Flange (2) onto the Main Body (1) hand tight.

Depending upon the actual LED array supplied, connect the white or red wire lead to a switched and fused power source then connect the black wire lead to a good ground.

Serviceable Parts:

LED Array Assembly (6) replacement is done by unscrewing Front Flange (2), loosening Cable Strain Relief (5) and removing old LED Array Assembly (6) with wire leads, inserting new LED Array Assembly (6) while feeding wire leads through the Cable Strain Relief (5), tightening Cable Strain Relief (5) and then screwing Front Flange (2) onto Main Body (1) hand tight. Caution! Ensure that new LED Array Assembly (6) is properly seated in the Main Body (1) as shown. Additionally, Prismatic Glass (3) is not field serviceable on this light because it is permanently bonded to Front Flange (2).

BALLOON	PART	DESCRIPTION
1	12049	MAIN BODY
2	12002	FRONT FLANGE, STAINLESS STEEL, MIRROR FINISH*
3	12050	PRISMATIC GLASS
4	12015	BODY GASKET
5	12016	CABLE STRAIN RELIEF
6	12053 12054 12055 12056 12057 12058 12059 12060	COOL WHITE LED ARRAY, 12-24V AC/DC WARM WHITE LED ARRAY, 12-24V AC/DC RED LED ARRAY, 12-24V AC/DC BLUE LED ARRAY, 12-24V AC/DC COOL WHITE/RED, 12-24V AC/DC WARM WHITE/RED, 12-24V AC/DC COOL WHITE/BLUE, 12-24V AC/DC WARM WHITE/BLUE, 12-24V AC/DC
7	12021	FRONT FLANGE O-RING
8	12047	No. 4 x 5/8" LG STAINLESS STEEL PHILLIPS PAN HEAD SCREW
*PLEASE CALL FOR OTHER LIGHT COMPONENT CONFIGURATIONS		



Underwater Lights USA, LLC
1881 W State Road 84, Bay 102
Fort Lauderdale, FL 33315 USA
Phone: 1-954-760-4447
Fax: 1-954-525-3261
Internet: www.seavision.com
Email: sales@seavision.com



DOC:031010-1

Underwater Lights Europe Sarl
Résidence L'Hippocampe: 19, Avenue Thiers
06600 Antibes, France
Phone: 33-(0)-4-97-21-02-96
Fax: 33-(0)-4-97-21-10-96
Internet: www.seavision.com
Email: sales@seavisioneurope.com